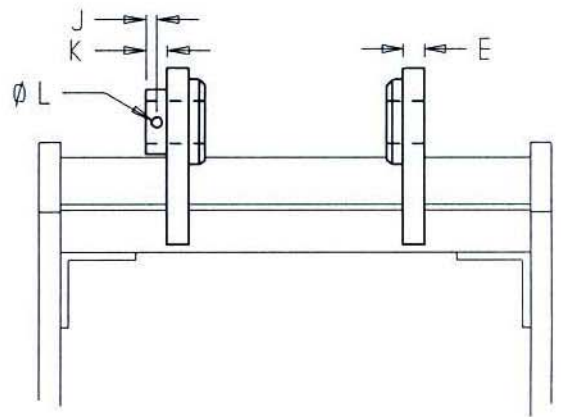
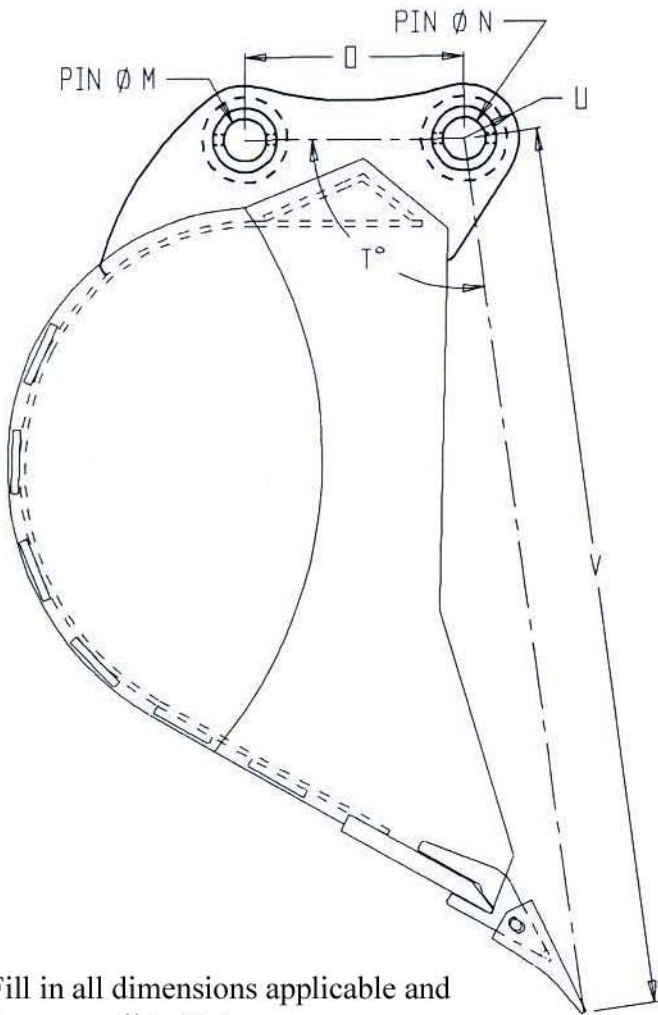


|     |       |     |       |
|-----|-------|-----|-------|
| A = | _____ | L = | _____ |
| B = | _____ | M = | _____ |
| C = | _____ | N = | _____ |
| D = | _____ | O = | _____ |
| E = | _____ | P = | _____ |
| F = | _____ | Q = | _____ |
| G = | _____ | R = | _____ |
| H = | _____ | S = | _____ |
| I = | _____ | T = | _____ |
| J = | _____ | U = | _____ |
| K = | _____ | V = | _____ |



NOTES: \_\_\_\_\_

\_\_\_\_\_

\_\_\_\_\_

\_\_\_\_\_

\_\_\_\_\_

\_\_\_\_\_

\_\_\_\_\_

\_\_\_\_\_

Fill in all dimensions applicable and  
 fax or email to Hytopz.  
 (509) 927-9529  
 sales@Hytopz.com